

UNI&UNT Series

AC/DC Adaptor **12W** Series Desktop



▲ UNI312



▲ UNT312



■ Please contact our sales department for safety standard of each model.



Product Highlights

- Stability
- Compact type
- Energy efficiency
- Suit LCD display, digital camera, multimedia player etc.

Efficiency

- Meet DoE Level VI

Protection

- Short circuit protection
- Over Voltage Protection
- Over Current Protection

Emissions

- FCC Part15 Class B
- CE CISPR 32 Class B
- VCCI Class B
- CNS13438

Safety Approvals

- UL60950
- CAN/CSA C22.2 NO. 60950
- PSE
- IEC/EN60950-1
- CNS14336

Immunity

- EN55024/A1:2001

Electrical Spec Absolute Maximum Rating

Input					
Description	Min	Typ	Max	Units	Comment
Voltage	90	100~240	264	VAC	
Frequency	47	50/60	63	Hz	

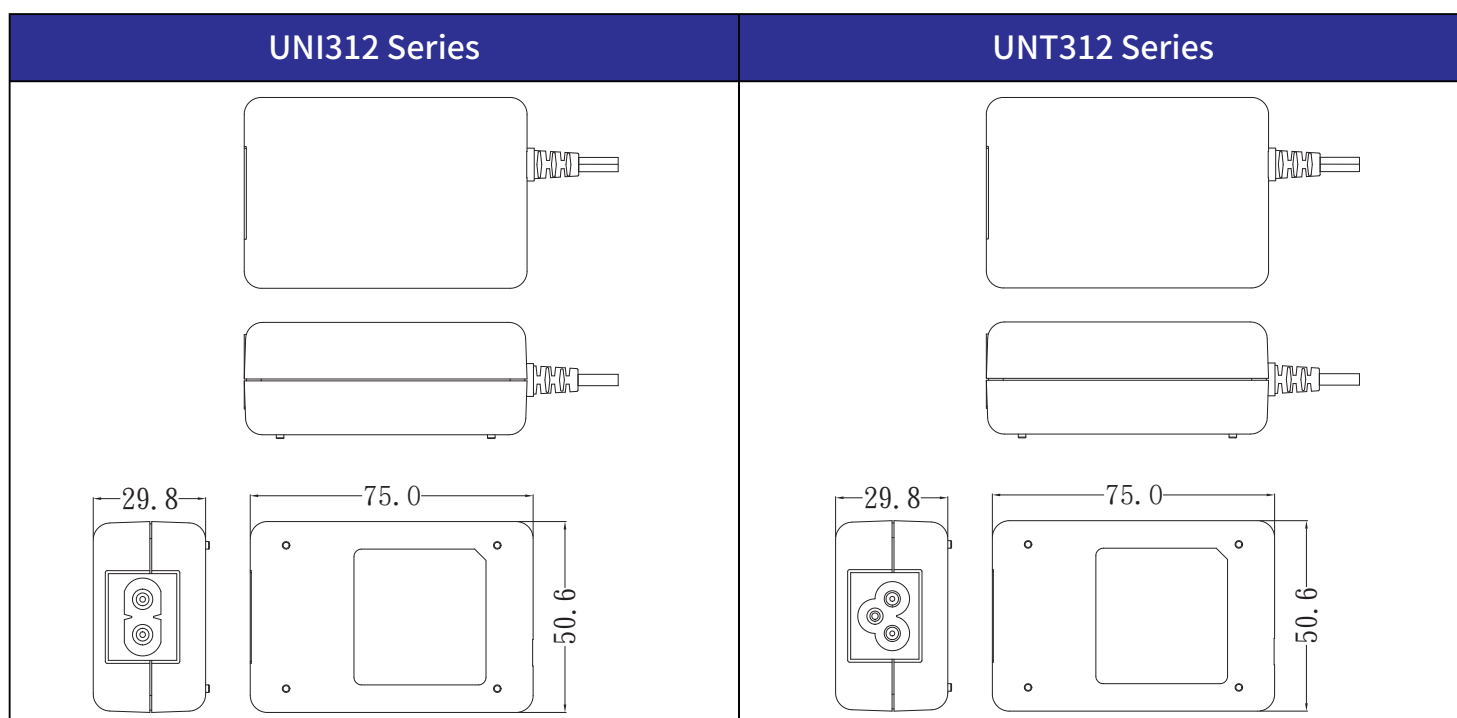
Environmental					
Description	Min	Typ	Max	Units	Comment
Operating Temperature	0	-	40	°C	Free Convection,Sea level
Storage Temperature	-20	-	65	°C	Free Convection,Sea level
Operating Humidity	5	-	95	%RH	No Condensing
Storage Humidity	5	-	95	%RH	No Condensing

Typical model list

Input Condition	DC Output Voltage	DC Output Current	Output Voltage Precision	Ripple	Noises	Regulation		Option/Remark		
						Line	Load			
Input Voltage: 90V-264Vac Frequency: 47-63Hz	1	5V	2.0A	±5%	150mV	150mV	2%	10%		
	2	5.7V	2.1A	±5%	150mV	150mV	2%	10%		
	3	5.9V	2.0A	±5%	150mV	150mV	2%	10%		
	4	12V	1.0A	±5%	120mV	240mV	2%	10%		
	5	24V	0.5A	±5%	240mV	480mV	2%	10%		
	6	-	-	-	-	-	-	-	-	
	7	-	-	-	-	-	-	-	-	
	8	-	-	-	-	-	-	-	-	

- Measurement condition
- 1. Measurements shall be made with an oscilloscope with 20MHz bandwidth.
- 2. Outputs shall be bypassed at the connector with a 0.1uF ceramic disk capacitor and a 10uF electrolytic capacitor to simulate system loading.

Mechanical Spec



■ Please contact our sales department for details of each model ■