

UM Series

Medical Use AC/DC Adaptor 18W Series **Wall Mount**



▲ **UM118/UM318**



▲ **UML118/UML318**



▲ **UME318**



▲ **UMR318**



▲ **UMK318**



▲ **UMA318**



■ Please contact our sales department for safety standard of each model.



Product Highlights

- Stability
- Compact size
- Energy efficiency
- Suit medical equipment, health device

Protection

- Short circuit protection
- Over Voltage Protection
- Over Current Protection

Safety Approvals

- IEC/EN 60601-1
- UL 60601-1
- PSE

Efficiency

- Meet Coc V Tier2

Emissions

- FCC Part15 Class B
- CE CISPR 11
- VCCI Class B

Immunity

- EN55011

Electrical Spec Absolute Maximum Rating

Input					
Description	Min	Typ	Max	Units	Comment
Voltage	90	100~240	264	VAC	
Frequency	47	50/60	63	Hz	

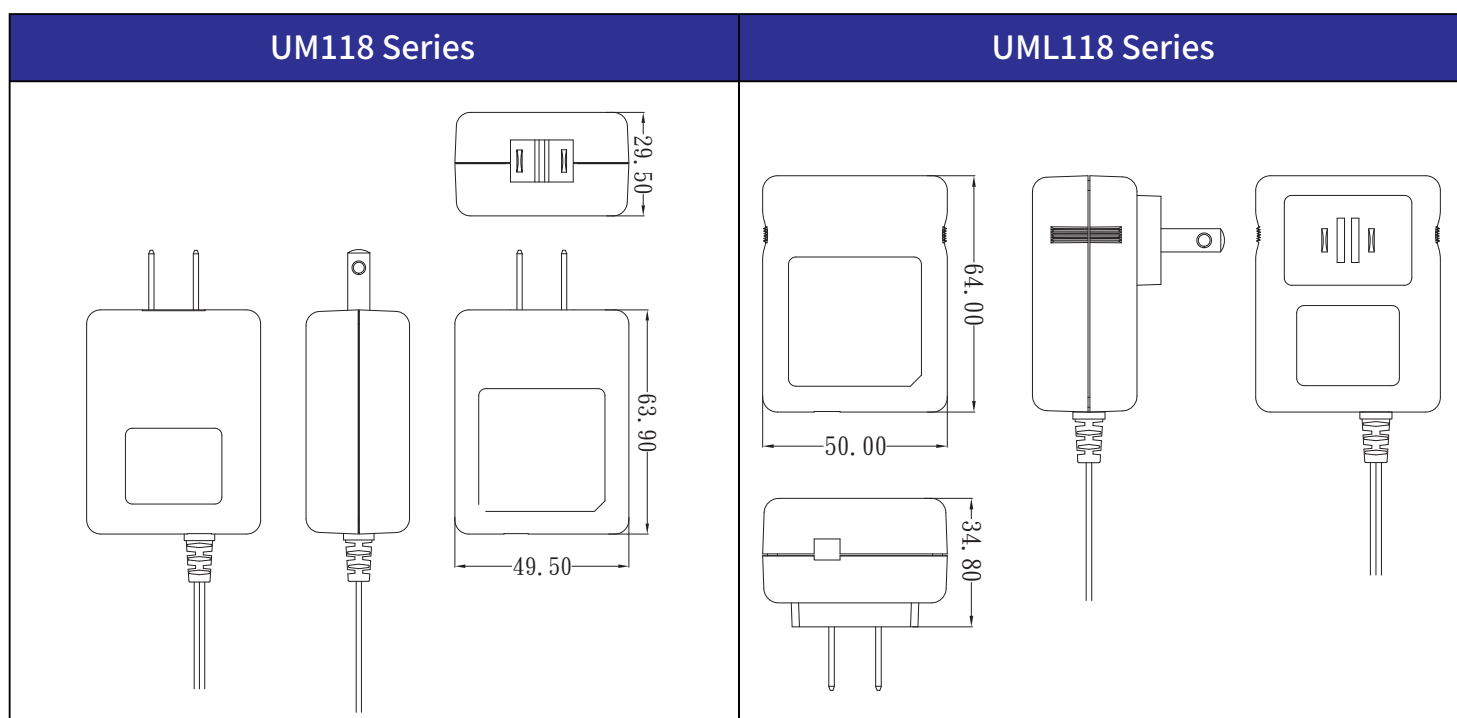
Environmental					
Description	Min	Typ	Max	Units	Comment
Operating Temperature	0	-	40	°C	Free Convection,Sea level
Storage Temperature	-20	-	65	°C	Free Convection,Sea level
Operating Humidity	5	-	95	%RH	No Condensing
Storage Humidity	5	-	95	%RH	No Condensing

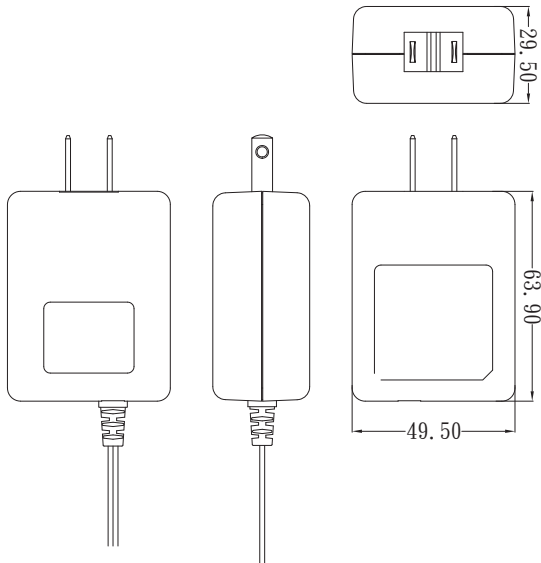
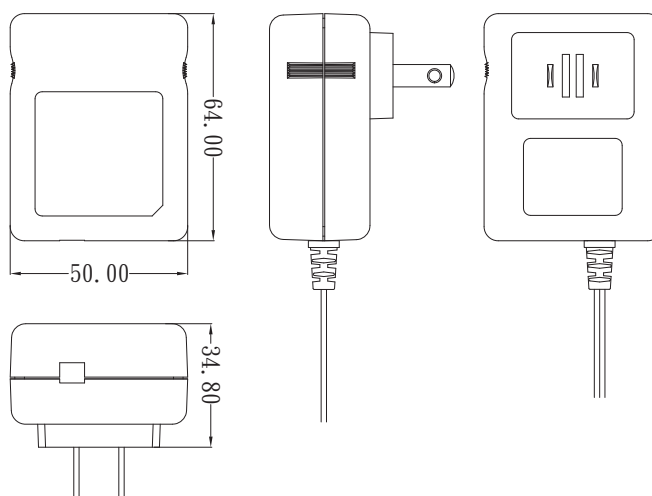
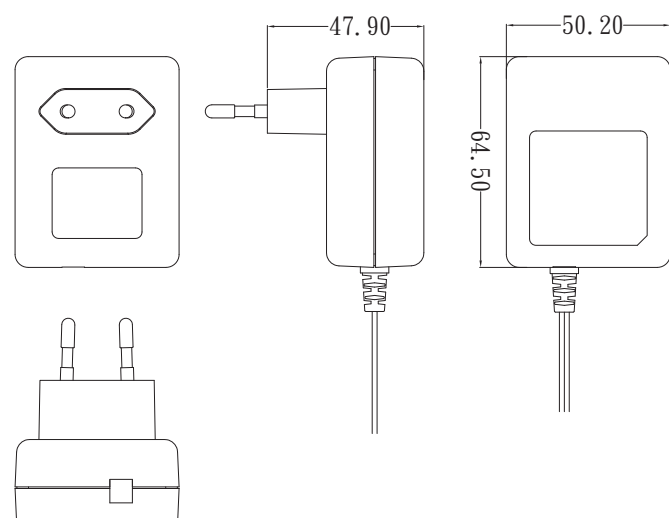
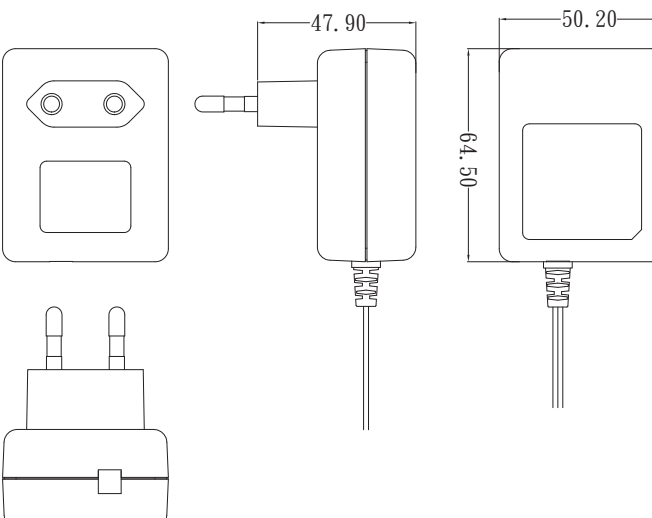
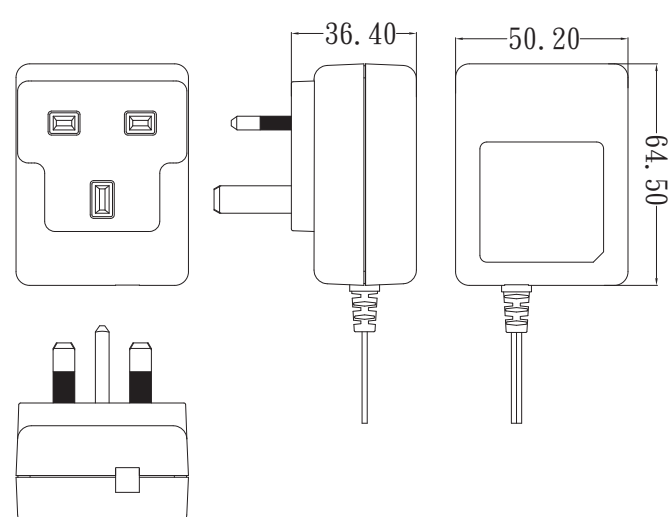
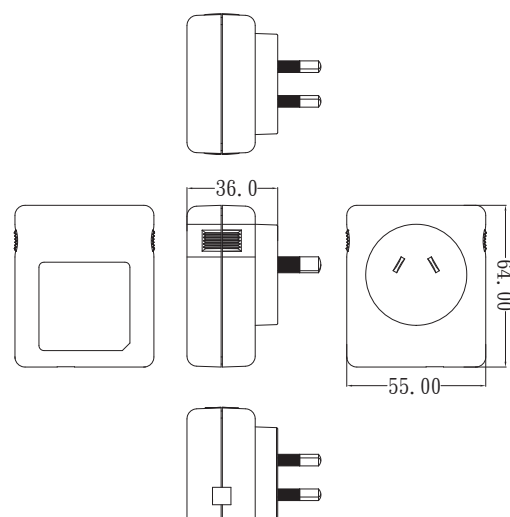
Typical model list

Input Condition	DC Output Voltage	DC Output Current	Output Voltage Precision	Ripple	Noises	Regulation		Option/Remark
						Line	Load	
1	5V	3.0A	±5%	300mV	300mV	2%	10%	
2	5.9V	2.8A	±5%	100mV	100mV	2%	10%	
3	7V	2.5A	±5%	150mV	150mV	2%	10%	
4	9V	2.0A	±5%	100mV	200mV	2%	10%	
5	12V	1.5A	±5%	120mV	240mV	2%	10%	
6	15V	1.2A	±5%	150mV	300mV	2%	10%	
7	24V	0.75A	±5%	240mV	240mV	2%	10%	
8	-	-	-	-	-	-	-	
9	-	-	-	-	-	-	-	
10	-	-	-	-	-	-	-	

- Measurement condition
- 1. Measurements shall be made with an oscilloscope with 20MHz bandwidth.
- 2. Outputs shall be bypassed at the connector with a 0.1uF ceramic disk capacitor and a 10uF electrolytic capacitor to simulate system loading.

Mechanical Spec



UM318 Series	UML318 Series
	
UME Series	UMR Series
	
UMK Series	UMA Series
	

■ Please contact our sales department for details of each model ■